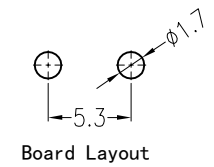
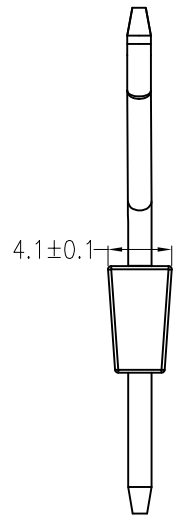
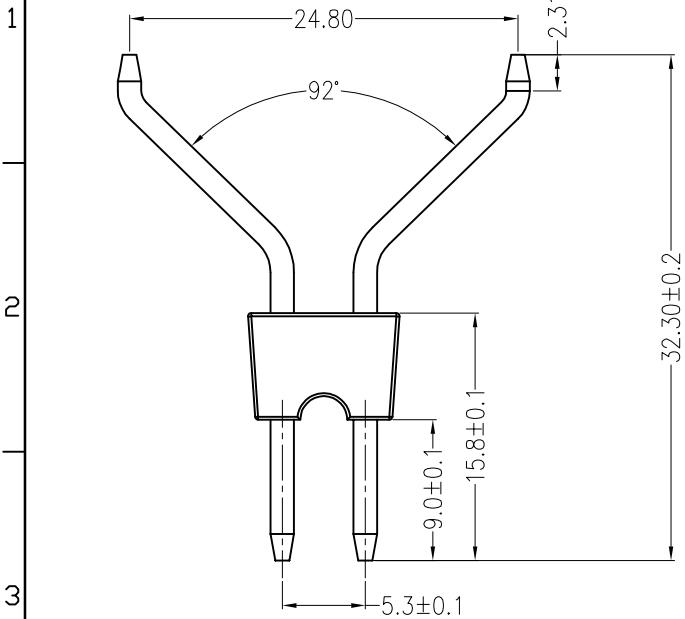


REV	DESCRIPTION	DESIGN	DATE
A0	Release	李润	2016.04.20



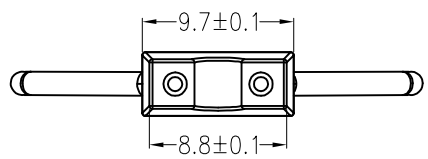
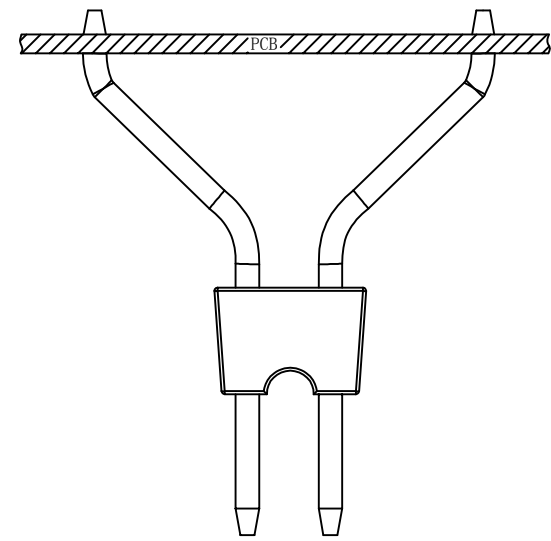
**主要技术参数 Main Specifications**

线数 (Poles): 02  
 接触电阻 (Contact resistance):  $\leq 20m\Omega$   
 绝缘电阻 (Insulation resistance):  $\geq 1000M\Omega$   
 额定电压 (Rated voltage): 250V AC DC  
 额定电流 (Rated current): 3.0A AC DC  
 耐电压 (Withstand Voltage): 1800V AC/minute  
 温度范围 (Temperature Range):  $-40^{\circ}C \sim +110^{\circ}C$

**ORDER INFORMATION:**

**L025-02-B1MG-P-A**

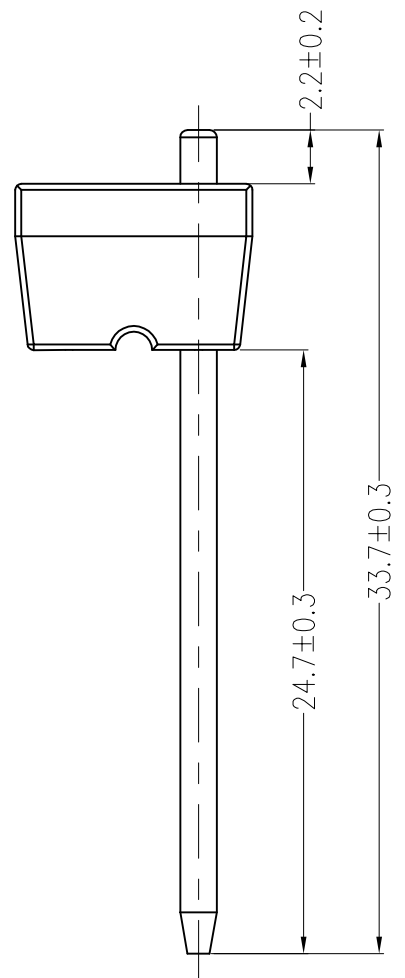
PART No. _____	SPECIAL CODE: A=The client code
No. FOR CIRCUITS: _____	PACKAGING: P=PE
02	PLATING: G=Ni
PLASTIC MATERIAL: _____	
B1M=PA46 (BEIGE)	



**Assembly Layout**

C				
B	CONTACT	2 PCS	Brass	Ni-plated
A	PEDESTAL	1 PCS	PA46	UL 94V-0, COLOR:BEIGE
ITEM	COMPONENT	Q'TY	MATERIAL	FINISH
<b>东莞市高迪电子有限公司</b> DONG GUAN GAO DI ELECTRONICS CO., LTD				TITLE: - 5.3mmPITCH 180°
X.±0.5	X.±5°	USE:	PART NO.:	
.X±0.3	.X±2°	CUSTOMER	L025-02-B1MG-P-A	
.XX±0.25	.XX±1°	APPD:	DWG NO.:	
--	--	邵敬和	CCP-0046	
		CHKD:	SCALE	
		田峰	1 : 1	
		DR:	SHEET	
		蒋建银	1 / 1	

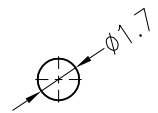
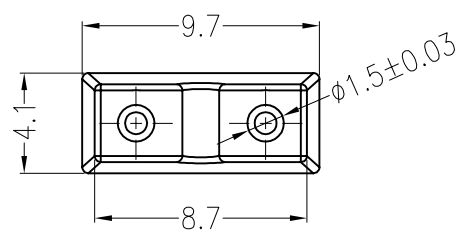
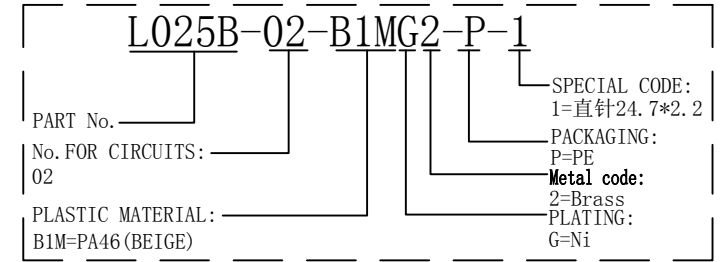
REV	ECN No.	DESCRIPTION	DESIGN	DATE
A0		Release	吴丹平	2017.04.21



**主要技术参数 Main Specifications**

线 数 (Poles): 02  
 接触电阻 (Contact resistance): ≤20mΩ  
 绝缘电阻 (Insulation resistance): ≥1000MΩ  
 额定电压 (Rated voltage): 250V AC DC  
 额定电流 (Rated current): 3.0A AC DC  
 耐 电压 (Withstand Voltage): 1800V AC/minute  
 温度范围 (Temperature Range) : -40℃ ~ +110℃

**ORDER INFORMATION:**



**Board Layout**

C				
B	CONTACT	1 PCS	Brass	Ni-plated
A	HOUSING	1 PCS	PA46	UL 94V-0, COLOR:BEIGE
ITEM	COMPONENT	Q'TY	MATERIAL	FINISH
<b>東莞市高迪電子有限公司</b> DONG GUAN GAO DI ELECTRONICS CO., LTD				TITLE: L025B-02-1P 5.3Pitch 180°wafer dip type
X.±0.5	X.±5'	USE:	PART NO.:	
.X±0.3	.X±2'	APPD:	L025B-02-B1MG2-P-1	
.XX±0.25	.XX±1'	CHKD:	DWG NO.:	
--	--	DR:	GCCP-0454	
UNITS: mm		DR: 吴丹平	SCALE	SHEET
			1 : 1	1 / 1